

Project:	
Type:	
Catalog #:	



ILLUMINATION

- Long lasting, efficient, ultra bright white LED lamp heads.
- 1.0 watt (8 LEDs x 0.25 watt) per head.
- High performance chrome-plated metalized reflector and plastic lens for optimal light distribution.
- Adjustable LED lamp heads provide optimal center-to-center spacing.
- Optional high lumen heads are 1.5 watts (12 LEDs x 0.125 watt per head) and provide increased center-to-center spacing.

WARRANTY / LISTING

- Five year warranty.
- UL Listed with approved FME Lighting products.
- Meets UL924, NFPA 101 Life Safety Code, NEC, OSHA, Local and State Codes.

ELECTRICAL

- Powered from low voltage power source with low voltage wiring (not provided).

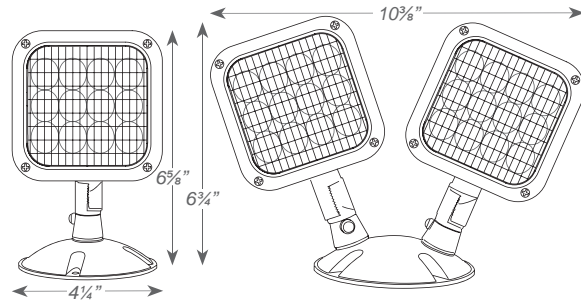
MOUNTING

- Universal mounting adapter plate included. Mounts to single-gang switch box.
- Distance of maximum run is determined by system voltage, wire gauge and total maximum wattage on the run.
- Suitable for wall or ceiling mount.

HOUSING

- Available in both engineering grade, high-impact resistant polycarbonate or premium grade die-cast aluminum housing.
- Sealed and gasketed in standard gray or black finish.

DIMENSIONS



*Contact factory for compatible FME fixtures.

ORDERING INFORMATION

MODEL	No. of HEADS	OPTIONS		HOUSING		VOLTAGE		COLOR		LAMP TYPE ¹		
LYN	1	Single Head	(blank)	For Standard Non-Self-Diagnostic	P	Polycarbonate	MV	For Use With 3.6V, 6V, 9.6V & 12V DC Power Source	(blank)	Gray	(blank)	8 LEDs 1W
	2	Double Head	SDT	For Fixtures with a Self-Diagnostic Option	D	Die-Cast			B	Black	HL	12 LEDs 1.5W

¹ Wattage rating stated per head.